

HSPF

Recommended P.C.B Layout(Top Side)
(PCB BOARD TOLERANCE±0.05)

NOTES:

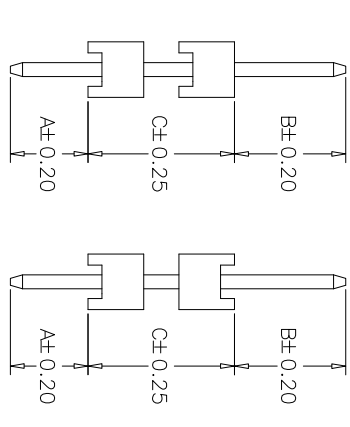
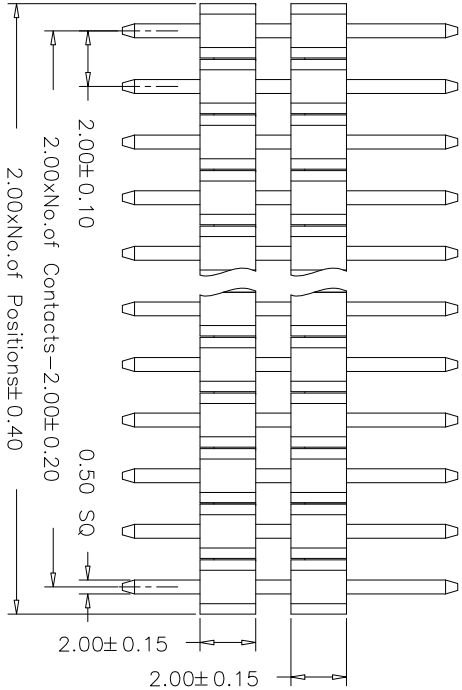
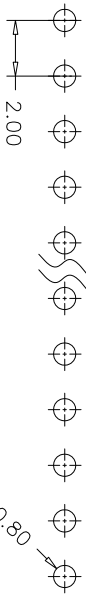
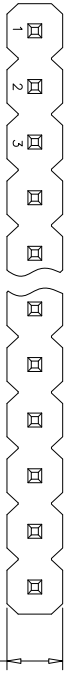
- Current Rating:1.5AMP
- Contact Resistance:20mΩ max
- Withstand Voltage:500V AC/DC
- Insulation Resistance:1000MΩ min
- Operation Temperature:-40°C to +105°C

Contact Material:Brass
Contact plating:Au or Sn Over Ni
Insulator Material:PA6T or PBT+30%GF(U194V-0)

Ordering Information

BT1220 1 ** * 01 D 5 A01

- I=Single Row
- No.of Pins 02-40
- Contact Plating U=Gold Flash X=10u"Gold W=15u"Gold Y=20u"Gold Z=30u"Gold F=Gold Flash/Tin A=10u"Gold/Tin J=15u"Gold/Tin K=30u"Gold/Tin O=Gold 15u"Gold Flash(Solder)
- Pin length See Table
- Insulation B: PBT + Tube D: PBT + PE Bag J: PA6T + Tube L: PA6T + PE Bag
- Packing S(Types):Straight (Dual Plastic Same Direction) s(Types):Straight (Dual Plastic Different Direction)
- Series No.



REV	DATE	MODIFICATION DESCRIPTION	CHANGE	APPROVE	OPERATION	DRAW	Bill	09/06/05	SCALE	UNIT	SIZE	SHEET	PART NO.	TITLE:
A0	09/06/05	NEW			XX XXX X XXX	DESIGN CHECK		1/1	mm A4			1/1	BT12201**01D*A01	PH2.0 Single Row Double Plastic 180° H=2.0
					Angle DIM	CHECK APPROVE								

